

Electrical safety for ships, mobile and fixed offshore platforms

- Insulation monitoring
- Offline monitoring
- Insulation fault detection
- Residual current monitoring



Electrical safety in maritime applications

Bender provides electrical safety products that contribute to an optimum of high operating safety and reliability in power supplies. The innovative solutions we offer today are based on more than half a century of experience. The products are developed for demanding applications in industries, hospitals, commercial buildings, ships and many other various areas.

A high degree of standardization means cost effective and highly reliable solutions.

- ISOMETER® – Insulation monitoring device
- Insulation fault location systems (EDS)
- Systems for the electrical safety of medically used rooms
- Residual current monitors (RCM)
- Control and indication panels
- Communication solutions.

Unearthed systems become standard

Electrical systems on ships and offshore platforms should be designed in such a way that:

- Operating safety and reliability of the electrical systems must be guaranteed
- Protection for passengers and personnel in case of insulation faults is secured
- International standards and regulations are complied with.

Therefore, the use of unearthed electrical systems (IT systems) with insulation monitoring is crucial in many maritime applications. For example:

IEEE – Recommended practice for electrical installations on shipboard
33.7.6 Electrical installations on tank vessels
Electrical distribution systems of less than 1000 V (line to line) should be unearthed

Service and support

Bender supplies electrical safety products worldwide. We also provide support and service for all Bender supplied systems and plants. Our involvement begins with the concept stage as we work very closely with the ship builder. We continue as an integral member of the team during the construction phase and, thereafter, through the entire operational life of the ship or offshore platform.



Unearthed power supplies (IT systems) monitored by an ISOMETER® provide solutions which on one hand offer comprehensive protection of people and equipment and on the other hand meet the ever increasing high requirements for availability and cost reduction. IT systems – in many parts of the world better known as “unearthed systems or floating systems” – are mentioned in all national and international standards. For all IT Systems the standard IEC 60364-4-41:2005-12 “Protection against electric shock” applies. In addition, the following standards for maritime applications apply:

- IEC 60092-201:1994-08 Electrical installations in ships – part 201: System design – General
- IEC 60092-502:1999-02 Electrical installations in ships – part 502: Tankers: Special features
- IEC 60092-202:1994-03 Electrical installations in ships – part 202: System design – Protection
- IEC 60092-504:2001-03 Electrical installations in ships – part 504: Special features – Control and instrumentation
- IEC 60092-507:2008-01 Electrical installations in ships – part 507: Small vessels
- IEC 61892-1:2001-12 Mobile and fixed offshore units – Electrical installations – part 1: General requirements and conditions
- IEC 61892-2:2012-03 Mobile and fixed offshore units – part 2: System design
- IEC 61892-5:2010-08 Mobile and fixed offshore units – Electrical installations – part 5: Mobile units
- IEC 61892-7:2007-11 Mobile and fixed offshore units – Electrical installations – part 7: Hazardous areas
- Regulations relating to maritime electrical installations: 2001-12, Directorate for fire and electrical safety, Norway and other international standards, like: Solas, IMO, Lloyd’s, IEE, NEK etc.

Why unearthed systems with insulation monitoring?

Five good reasons for IT systems with insulation monitoring



Improved economic efficiency

- Expensive and unexpected interruptions to operation are avoided
- Time and costs for maintenance are reduced
- Weak points in the installation are recognised
- Investment management is supported



Increased operating reliability

- No interruption to operation in the event of phase-to-earth fault
- No control malfunction in the event of insulation faults
- Electrical installations are kept at a high level of availability
- Off-line monitoring



Optimised maintenance

- Insulation deteriorations are early recognised and signalled
- Automatic localisation of sections of the system with insulation faults
- Optimised planning of time and personnel resources
- Central information about the condition of the electrical installation
- Remote diagnosis via Internet/Ethernet



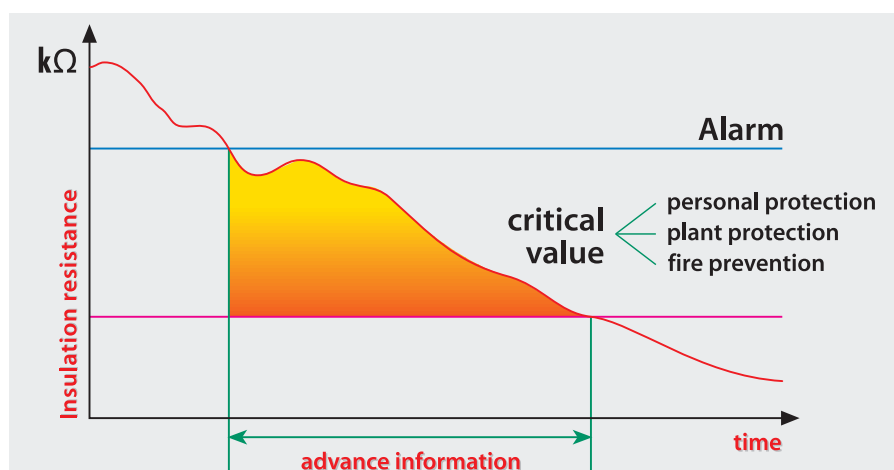
Increased fire prevention

- Gradually developing insulation faults are detected at an early stage
- Arcing faults, a frequent cause of fire, do not occur
- Areas subject to explosion and fire hazards can be separated from the rest of the system by means of isolating transformers and can be monitored



Increased accident prevention

- Low touch currents in small and medium-sized installations
- No malfunctions in control circuits of equipment and machines



Time gained thanks to advance information

Insulation monitoring – making the right choice

The unearthed electrical system is continuously monitored by an ISOMETER®. Connected between the active conductors and earth (ship's hull), it superimposes a measuring voltage on the system. If an insulation fault occurs, the measuring circuit is closed and a small measuring current will flow. This measuring current is proportional to the insulation resistance and it is then evaluated by the device's electronic system. Insulation monitors are an important part of IT systems. Therefore, they are demanded by the regulations, for example:

IEC 60092-201:1994-08 Electrical installations on ships – system design

7.2 Insulated distribution systems

When a distribution system, whether primary or secondary, for power, lighting or heating, with no connection to earth is used, a device capable of continuously monitoring the insulation level to earth and of giving an acoustic and optical indication of low insulation values shall be provided.

Depending on the system to be monitored the following measuring principles are used:

DC measuring voltage

One frequently used measuring principle is the superimposition of a DC measuring voltage between the system and the protective conductor. This is the standard measuring principle for pure AC one and three phase unearthed systems.

Today's electrical systems frequently contain alternating current loads which include electrically connected DC components e.g. PC's, solenoid valves, rectifiers etc.

DC voltage components, high capacitances, voltage and frequency changes can cause a negative influence on this measurement.

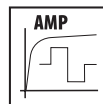
AMP measuring principle

The AMP measuring principle (by Bender patent) is based on a specially clocked measuring voltage which is controlled by a micro-controller and adapts itself automatically to the respective system conditions. All devices mentioned in this brochure are operating with this measuring principle and can be used universally in AC, DC and AC/DC IT systems with voltage or frequency variations, high system leakage capacitances and DC components. These devices are able to cope with today's modern distribution systems, which usually contain influencing variables.

Approvals



Lloyd's Register
of Shipping







Underwriters
Laboratories Inc.



Germanischer Lloyd

No matter what kind of IT system you have, ISOMETER® will monitor them all

Functions and characteristics at a glance

					
	ISOMETER® IR1575	ISOMETER® IRDH275B – IRDH375B	ISOMETER® IRDH575	ISOMETER® IR420-D6	
Fields of application	Insulation monitoring	Control and auxiliary circuits	Main circuits	Main circuits Control and auxiliary circuits	Offline-Monitoring TN, TT and IT systems
	Coupled IT systems	–	■	■	–
	IT systems with converter drives	–	■	■	–
	Insulation fault location	–	–	■	–
	Nominal voltage (insulation monitoring)	3(N)AC, DC, AC/DC 0 ... 480 V	3(N)AC 0 ... 793 V DC 0 ... 650 V extensible via coupling unit	see "Insulation fault location"	–
Frequency range	DC, 30 ... 460 Hz	DC, 0.2 ... 460 Hz	DC, 42 ... 460 Hz	–	
Response values/ contacts	Number of response values	2	2	2	2
	Response values	2 kΩ ... 1 MΩ	1 kΩ ... 10 MΩ	1 kΩ ... 10 MΩ	100 kΩ ... 10 MΩ
	Contact main alarm	1 changeover contact	1 changeover contact	1 changeover contact	1 changeover contact
	Contact prewarning	1 changeover contact	1 changeover contact	1 changeover contact	1 changeover contact
	Contact change over for	–	system fault	system fault/EDS alarm	–
Communication	LC display	Two lines	Two lines	Four lines	■
	Pre-alarm display	■	■	■	–
	RS-485 interface	–	BMS protocol (B version)	BMS protocol	–
	Real time clock	–	■ (B version)	■	–
General features	Measuring principle	AMP	AMPPlus	AMPPlus	DC
	Fault memory	■	■	■	measured value memory
	Selective fault location L+/L-	■	■	■	■
	Connection monitoring	IT system/PE	IT system/PE	IT system/PE	PE
	Historical memory	–	■ (B version)	■	–
Isometer disconnection relays	–	■ (B version)	■	–	
Insulation fault location	Nominal voltage IRDH575B1-...	–	–	AC, 3(N)AC 20 ... 575 V DC 20 ... 575 V	–
	Nominal voltage IRDH575B2-...	–	–	AC, 3(N)AC 340 ... 760 V DC 340 ... 575 V	–
	Frequency range	–	–	DC, 42 ... 460 Hz	–
	Evaluators	–	–	EDS460/EDS461	–
	Measuring current transformers	–	–	W, WS, WR series	–
	Approvals	–	GL, UL, LR	LR, UL	–

Bender ISOMETER® IRDH 275 / 375 / 575 series and IR1575 – the solution for all IT systems in ships and offshore platforms

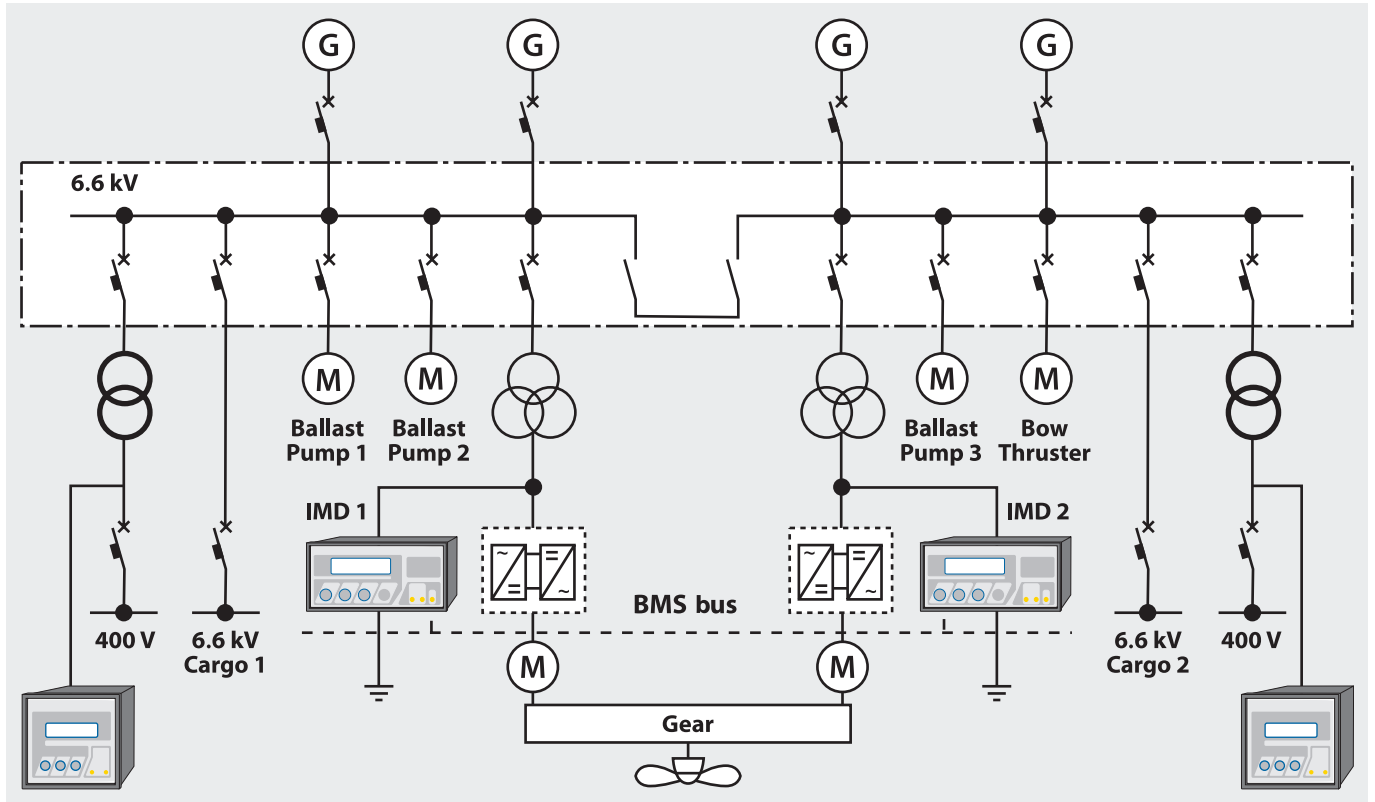
General features of IRDH275/375/575 and IR1575

- **AMP measuring principle for precise measurement of the insulation resistance**
in all AC, DC or AC/DC IT systems
- **Simple to operate**
The user-friendly menu structure and large keys make the device simple to operate
- **Clear indication**
with illuminated text display
- **Increased alarm set points**
Two programmable alarms provide warnings when the insulation resistance drops below pre-set values (alarm 1 can be used as pre-warning)
- **Easy to install and to connect**
The panel mounting enclosure is easy to install into the fascia of a switchboard.
The entire information is available to the user at a glance. Easy to connect by colour-coded plug-in terminals.

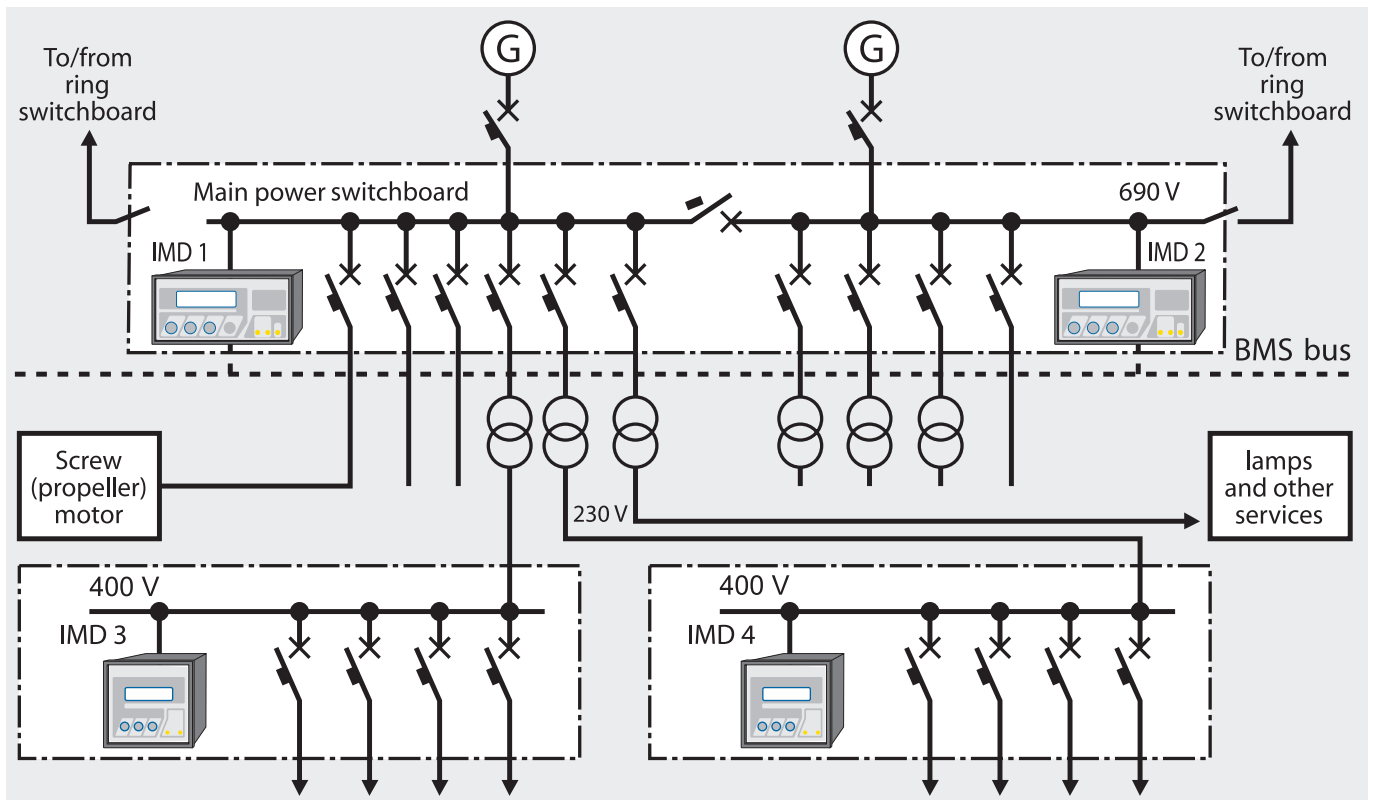
Special features of IRDH275B/375B/575

- **Monitoring several interconnected IT systems**
The IRDH275/375/575 can be configured to operate as an IT system manager to provide the necessary control information exchange between the ISOMETER® when several IT systems are interconnected.
- **Informed at the press of a button**
Additional information such as system leakage capacitance, parameter values etc. are immediately available at the press of the info button
- **Insulation monitoring with automatic fault location system EDS**
The IRDH575 series can be extended to an automatic insulation fault location system
- **Data history info**
By pressing the INFO key, additional information and up to 99 alarm messages with time and date stamp immediately available

Practical examples

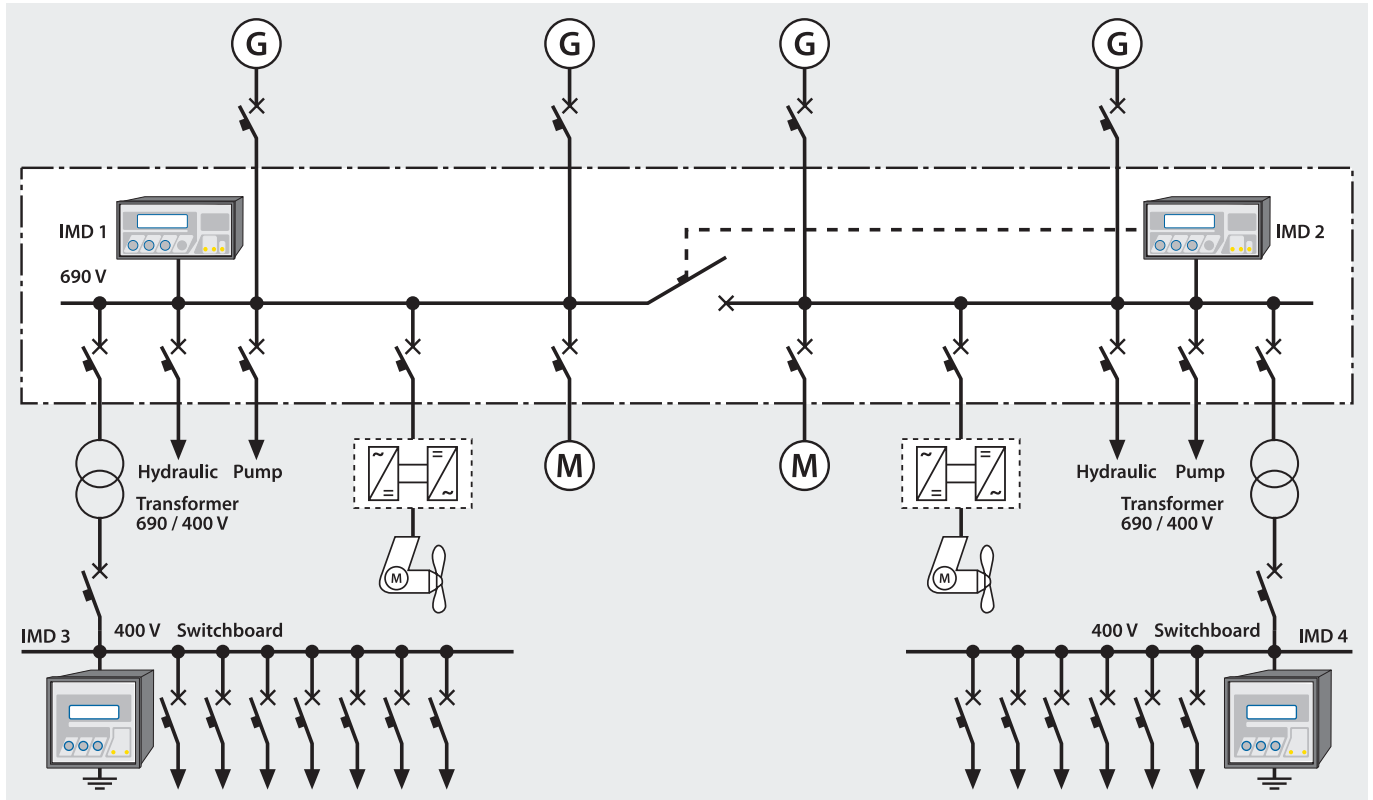


Insulation monitoring of a electric propulsion system with IRDH375B



Insulation monitoring of secondary distribution system with IR1575

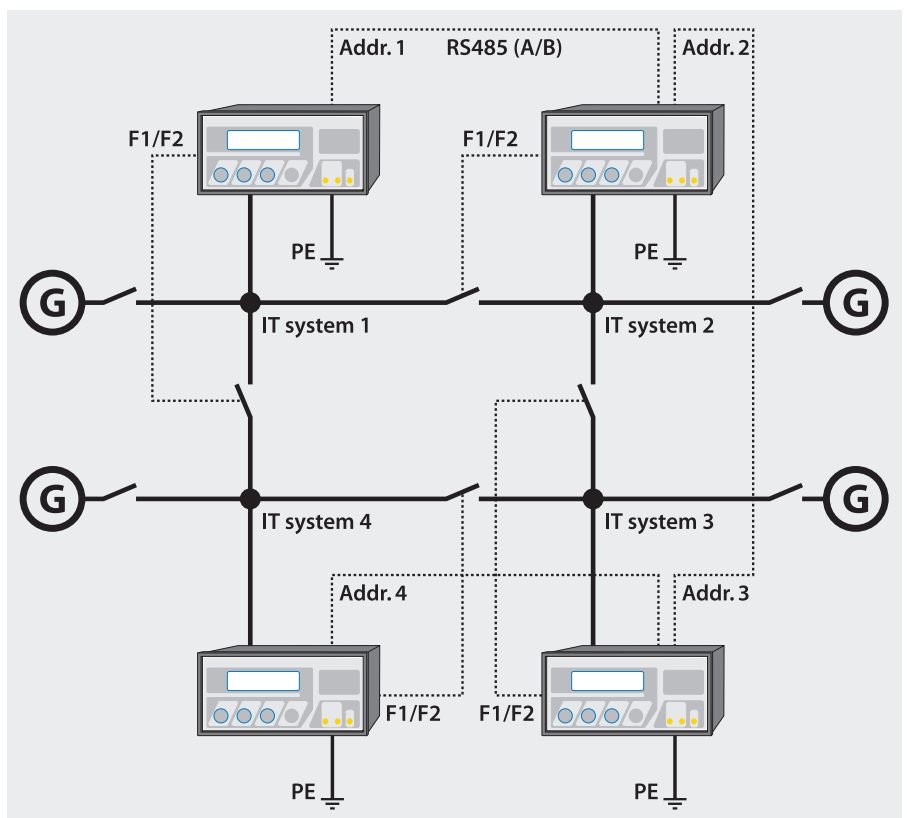
Practical examples



Insulation monitoring of primary distribution system with IRDH375 – Insulation monitoring of secondary distribution system with IR1575

Coupled IT systems – no problem

In some maritime applications a lot of IT systems will be sometimes coupled during operation. For a correct measurement of the insulation resistance it is necessary that only one insulation monitor is active. The IRDH375 series will manage this by bus connection and controlling of the switches.



Insulation monitoring in coupled systems with IRDH375

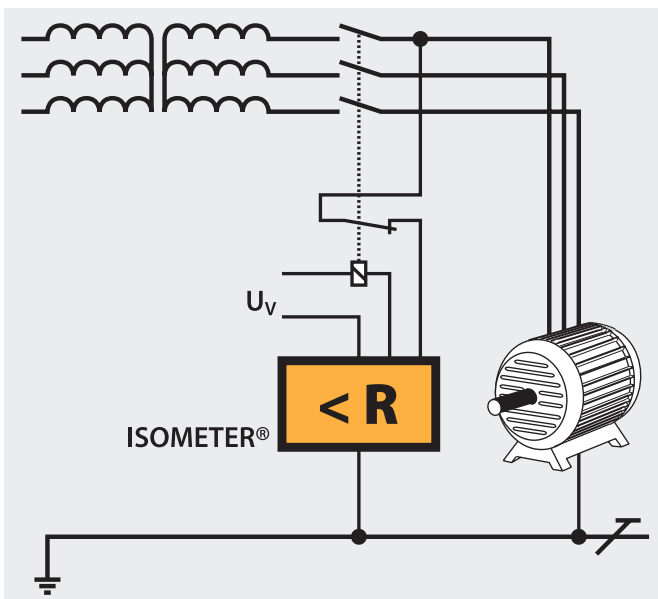
Practical examples



ISOMETER® IR420-D6

Offline monitoring with ISOMETER® IR420-D6

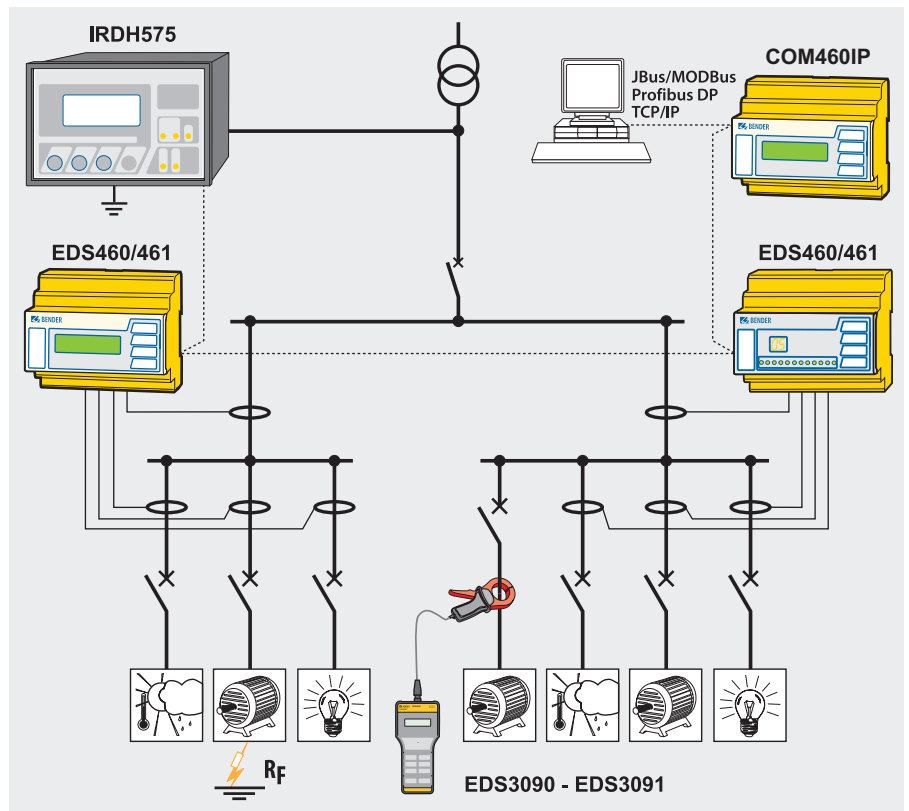
- Provides safe monitoring of electrical insulation integrity in certain installations
- Monitors the insulation resistance of de-energised TN, TT and IT systems, e. g. fire extinguisher pumps, slide-valve drives, standby generators, deck machinery in offshore platforms and marine environment
- Gives early warning of insulation degradation, before motors (or generators) with deteriorated insulation are in immediate danger of failing on start up
- Early warning for preventive maintenance to be scheduled when convenient
- Eliminates failure and the need for an emergency replacement or rewind
- Two separate response values 100 kΩ...10 MΩ



Offline monitoring with IR420-D6

Insulation fault location system EDS

In order to achieve high availability and to avoid costly shut-down periods of electrical installations, it is necessary to recognise insulation faults at an early stage – before interruption or disconnection of the power supply occurs. Unearthed systems (IT systems) with insulation monitoring are used for this reason to protect these power supplies to essential electrical installations and loads. The ISOMETER® provides the necessary advance information. Fast localisation and elimination of insulation faults is required by DIN VDE 0100-410 (VDE 0100 part 410: 2007-06, IEC 60364-4-41: 2005-12). The IRDH575 in combination with the EDS system is a modular system ideally suited for this task.



Insulation fault location with communication via COM460IP

Advantages of insulation fault location with the EDS system



Improved economic efficiency

- Time and costs for maintenance are reduced
- Weak points in the installation are recognised



Increased operating reliability

- Electrical installations are kept at a high level of availability
- Increased productivity because interruptions to operation are avoided
- More comfort for passengers and crew



Optimized maintenance




- Insulation fault location without disconnecting the electrical installation
- Selective fault location by fast and precise localisation of the faulty sub circuit
- Centralized indication and operation with LC text display
- Reduced maintenance costs











Flexible and configurable solutions

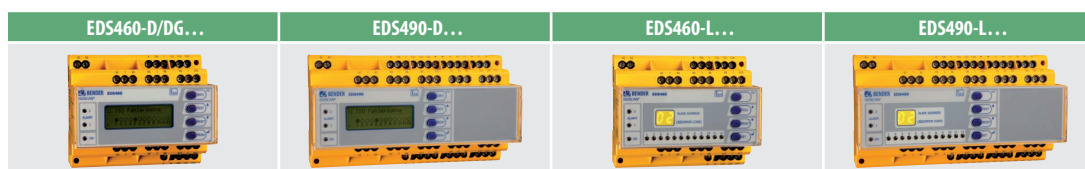
- Cost-effective construction by modular system components
- Measuring current transformers are available in different sizes and shapes (round, rectangular and split core)

Components of EDS systems – Functions and characteristics at a glance

Type of supply system	AC, DC, AC/DC (mixed systems)		AC, DC, AC/DC (mixed systems)
Applikation	Main circuit		Control circuit
Insulation monitoring device ISOMETER® and insulation fault test device			
Type	IRDH575	IR1575	IRDH575
			
Nominal system voltage U_n (B1)	3AC/AC 20...575 V DC 20...575 V	DC/AC/3 AC 20...480 V	3AC/AC 20...150 V/DC 20...150 V (Version IRDH575B1-4227, RDH575B1-4235)
Nominal system voltage U_n (B2)	3AC/AC 340...760 V DC 340...575 V	–	–
Supply voltage	–	–	–
IRDH575B1-435 IRDH575B2-435 IRDH575B1-4235 IR1575PG1-435	AC 88...264 V DC 77...286 V	AC 88...264 V DC 77...286 V AC 340...460 V	AC 88...264 V DC 77...286 V
IRDH575B1-427 IRDH575B1W-4227	DC 19,2...72 V	–	DC 19,2...72 V
IR1575PG1-434	–	AC 16...72 V, DC 10,2...84 V	–
Test current	10/25/50 mA	10/25 mA	1/2,5 mA
Response values	1 kΩ ... 10 MΩ	1 kΩ ... 1 MΩ	1 kΩ ... 10 MΩ
LC display	4 x 20 characters	2x16 characters	4 x 20 characters
alarm relay	3 changeover contacts	2 changeover contacts	3 changeover contacts
Interface/protocol	RS-485 (BMS)	–	RS-485 (BMS)
Address range	1...30	–	1...30

Insulation fault evaluators								
Type	EDS460-D/DG...	EDS490-D...	EDS460-L...	EDS490-L...	EDS461-D...	EDS491-D...	EDS461-L...	EDS491-L...
								
Graphic LCD	■	■	–	–	■	■	–	–
7-segment / LED display	–	–	■	■	–	–	■	■
U_S : DC 16...94 V, AC 42...460 Hz 16...72 V	EDS460-D-1, EDS460-DG-*	EDS490-D-1	EDS460-L-1	EDS490-L-1	EDS461-D-1	EDS491-D-1	EDS461-L-1	EDS491-L-1
U_S : AC / DC 70...276 V AC 42...460 Hz	EDS460-D/DG-2, EDS460-DG-2*	EDS490-D-2	EDS460-L-2	EDS490-L-2	EDS461-D-2	EDS491-D-2	EDS461-L-2	EDS491-L-2
Scanning time	< 10 s for up to 1080 measuring channels				< 10 s for up to 1080 measuring channels			
Response value	2...10 mA				0,2...1 mA			
Residual current display	100 mA...10 A (EDS460DG 20 mA-2 A)				10 mA ... 1 A			
Parameterization function	■	■	–	–	■	■	–	–
Error codes display	■	■	■	■	■	■	■	■
Address range	1...90		1...90		1...90		1...90	
Internal clock (RTC)	■	■	–	–	■	■	–	–
History memory	■	■	–	–	■	■	–	–
Alarm relay "Common alarm"	2 x 1 changeover contact				2 x 1 changeover contact			
Alarm relay per channel	–	12 x 1 N/O contact	–	12 x 1 N/O contact	–	12 x 1 N/O contact	–	12 x 1 N/O contact

* EDS460-DG-... particularly for localising insulation faults in DC IT systems with a number of branch circuits where high system leakage capacitances are involved



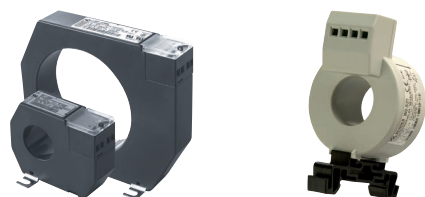
Measuring current transformer for EDS and RCMS systems – Overview

Type of supply system	AC, DC, AC/DC (mixed systems)	AC, DC, AC/DC (mixed systems)
Application	Main circuit	Control circuit

Measuring current transformers

	Dimensions	Type	Dimensions	Type
				

Type	W... series (Circular)			
	ø 10	W10	ø 10	W10-8000
	ø 20	W20	ø 20	W20-8000
	ø 35	W35	ø 35	W35-8000
	ø 60	W60	ø 60	W60-8000
	ø 120	W120	–	–
	ø 210	W210	–	–



Type	W...S... series (Circular)			
	ø 20	W0-S20	–	–
	ø 35	W1-S35	ø 35	W1-S35-8000
	ø 70	W2-S70	–	–
	ø 105	W3-S105	–	–
	ø 140	W4-S140	–	–
	ø 210	W5-S210	–	–



Type	WR...S(P) series (Rectangular H x W)	
70 x 175		WR70x175S
		WR70x175SP
115 x 305		WR115x305S
		WR115x305SP
150 x 350		WR150x350S
		WR150x350SP
200 x 500		WR200x500S
		WR200x500SP

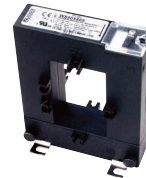
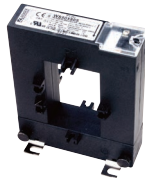
Type of supply system	AC, DC, AC/DC (mixed systems)	AC, DC, AC/DC (mixed systems)
Application	Main circuit	Control circuit

Measuring current transformers

Dimensions	Type	Dimensions	Type
------------	------	------------	------



Type	WS... series (Split-core W x H)			
	20 x 30	WS20x30	20 x 30	WS20x30-8000
	50 x 80	WS50x80	50 x 80	WS50x80-8000
	80 x 120	WS80x120	–	–



Type	WS...S series (Split-core W x H)			
	–	–	20 x 30	WS20x30S-8000
	50 x 80	WS50x80S	50 x 80	WS50x80S-8000
	80 x 80	WS80x80S	–	–
	80 x 120	WS80x120S	–	–
	80 x 160	WS80x160S	–	–

Alternative accessories for communication



Type	Gateways
For PROFIBUS	FTC470XDP
For Internet/Intranet	COM460IP
For Jbus/Modbus	COM462RTU



Type	MK800
Flush-mounting	MK800...
Surface-mounting	MK800A...
Surface-mounting, front door	MK800AF...



Type	DI-1 DL
	BMS extension: > 32 BMS nodes, > 1200 m cable length

Components for portable systems with installed test device (ISOMETER® IRDH575/IR1575PG1)

Type of distribution system	AC, DC, AC/DC (mixed systems)	AC, DC, AC/DC (mixed systems)
Application range	Main circuits	Control circuits

Insulation monitoring device ISOMETER®/Locating current injector PGH



Nominal system voltage U_n (B1)	3AC, AC 20...575 V, DC 20...504 V	3AC, AC 20...150 V, DC 20...150 V
Nominal system voltage U_n (B2)	3AC, AC 340...760 V, DC 340...575 V	—
U_5 DC 19.2...72 V	IRDH575B1-427	IRDH575B1-4227
U_5 AC 88...264 V, DC 77...286 V	IRDH575B1-435	IRDH575B1-4235
U_5 AC 88...264 V, DC 77...286 V	IRDH575B2-435	—
Locating current I_L	10/25/50 mA	1/2.5 mA
Response values	1 k Ω ...10 M Ω	1 k Ω ...10 M Ω
LC display	4 x 20 characters	4 x 20 characters
Alarm relay	3 changeover contacts	3 changeover contacts
Interface/protocol	RS-485 (BMS)	RS-485 (BMS)
Address range	1...30	1...30

Insulation fault locator



Type	EDS195P
LC display	3 x 16 characters
Evaluating current I_{DL}	0.2...50 mA
Response value	0.2...1/2...10 mA selectable

Measuring clamps



Type	PSA3020	PSA3052	PSA3165 (optional)	PSA3320	PSA3352
20 mm	■			■	
52 mm		■			■
115 mm			■		

Complete systems

Type	EDS3090		EDS3091
Comprising	Aluminium case, EDS195P, PSA3020, PSA3052, power supply unit	Aluminium case, EDS195P, PSA3020, PSA3052, power supply unit	Aluminium case, EDS195P, PSA3320, PSA3352, power supply unit

Components for portable systems without installed test device

Application	Main circuit		Control circuit
	energised	offline	energised

Locating current injector PGH



Nominal system voltage U_n	3AC, AC 20...575 V DC 20...504 V	3AC, AC 0...575 V DC 0...504 V	AC 20...265 V, DC 20...308 V
U_s AC 230 V	PGH185	PGH186	PGH183
U_s AC 90...132 V	PGH185-13	PGH186-13	PGH183-13
Locating current I_L max.	10/25 mA	10/25 mA	1/2.5 mA

Insulation fault locator



Type	EDS195P
LC display	3 x 16 characters
Evaluating current $I_{\Delta L}$	0.2...50 mA
Response value	0.2...1/2...10 mA selectable

Measuring clamps



Type	PSA3020	PSA3052	PSA3165 (optional)	PSA3320	PSA3352
20 mm	■			■	
52 mm		■			■
115 mm			■		

Complete system

Type	EDS3090PG (-13)	EDS3096PG (-13)	EDS3091PG (-13)
	EDS3090PG for U_s = AC 230 V, 50...60 Hz EDS3090-13 for U_s = AC 90...132 V, 50...60 Hz	EDS3096PG for U_s = AC 230 V, 50...60 Hz EDS3096PG-13 for U_s = AC 90...132 V, 50...60 Hz	EDS3091PG for U_s = AC 230 V, 50...60 Hz EDS3091PG-13 for U_s = AC 90...132 V, 50...60 Hz
Comprising	Aluminium case, PGH185, EDS195, PSA3020, PSA3052, power supply unit, cable set	Aluminium case, PGH186, EDS195, PSA3020, PSA3052, power supply unit, cable set	Aluminium case, PGH183, EDS195, PSA3320, PSA3352, power supply unit, cable set
Type	EDS3092PG		
Comprising	Aluminium case, PGH185, EDS195, PSA3020, PSA3052, power supply unit, cable set		Aluminium case, PGH183, EDS195, PSA3320, PSA3352, power supply unit, cable set

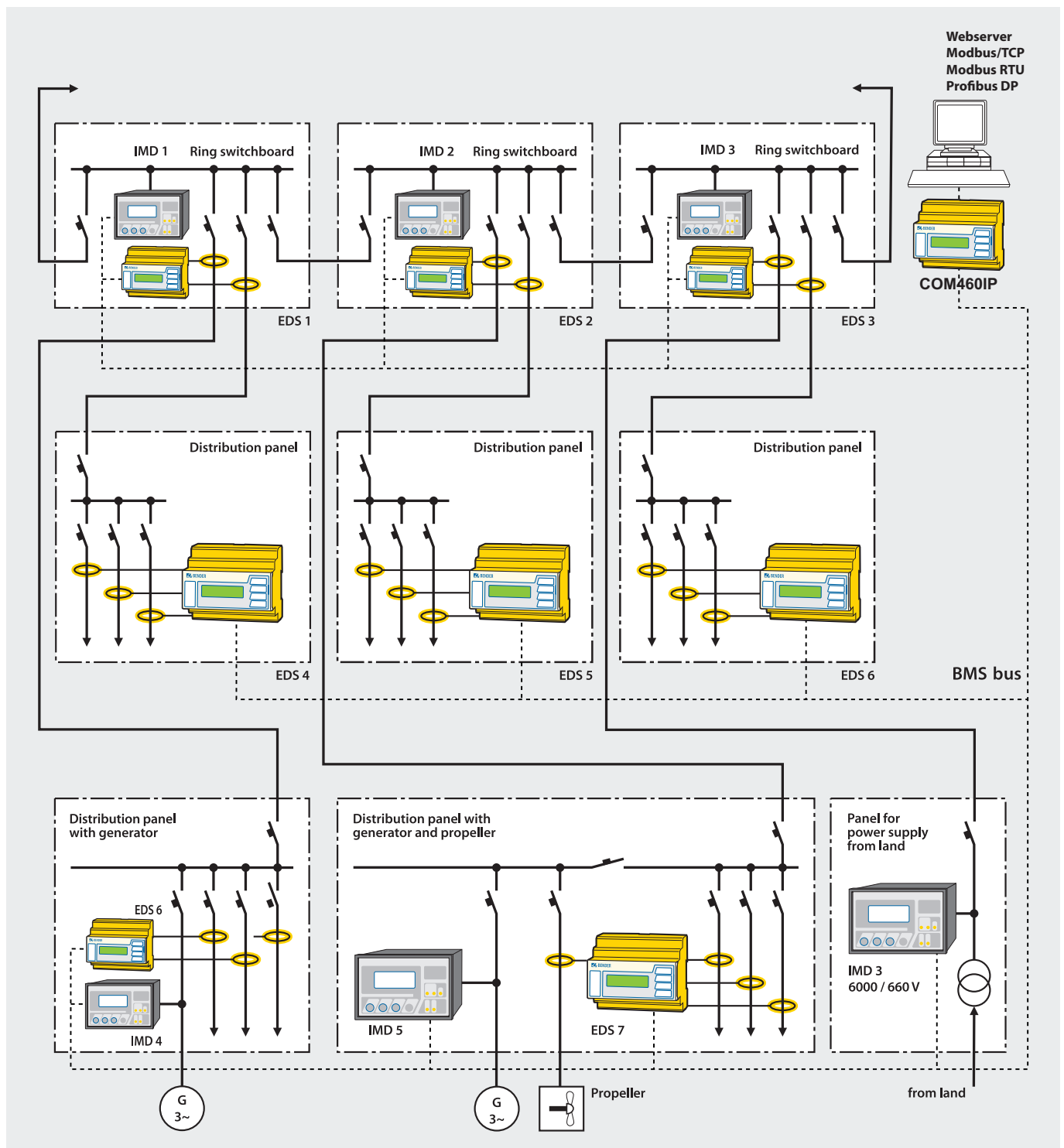
Accessories

Type	AGE185
------	--------



Extension	AC 500...790 V, 45...400 Hz
Nominal voltage range	DC 400...960 V

Practical example



Insulation monitoring and earth fault location in a distribution system

- Insulation monitoring of different IT systems with ISOMETER® IRDH575
- Evaluators for earth fault location EDS460
- Measuring current transformers in different sizes and shapes (round, rectangular and split core)
- Communication via COM460... to other bus systems

Higher electrical safety for earthed sub-circuits for entertainment areas, cabins, elevators and other applications

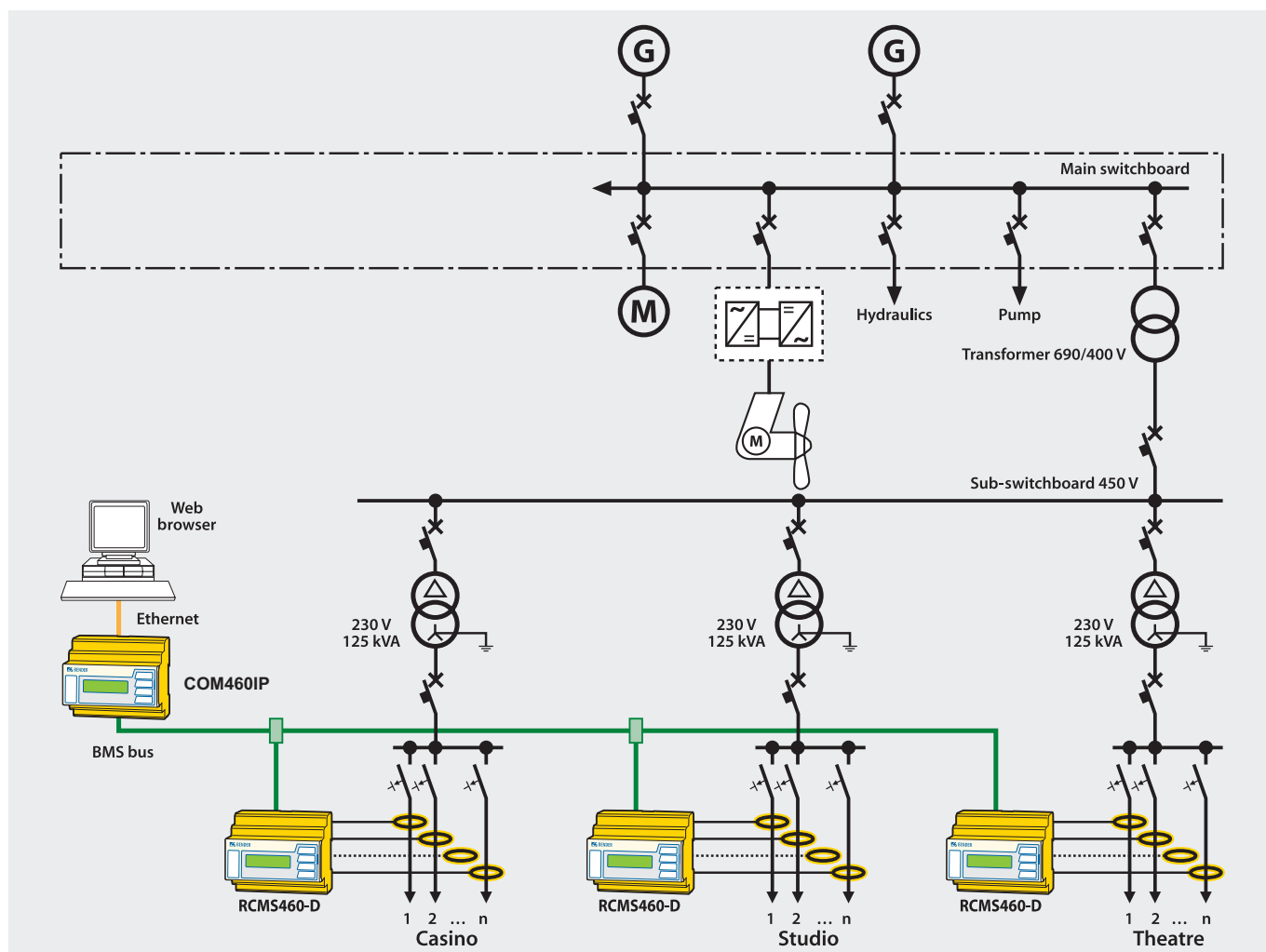
An RCMS system is a multi-channel residual current location system which can monitor up to 12 circuit branches per device and up to 1080 measuring points in a network divided over 58 12-channel devices. RCMS is suitable for d.c., alternating and pulsating residual currents. RCMS system gives an alarm before other protective measures are interrupting the power supply. Typical applications in ships and offshore units are earthed sub-circuits for the power supply of entertainment areas, cabins, elevators and other applications.

Features of RCMS System

- Unexpected interruptions to operations are avoided
- Installation reliability and operational reliability are increased considerably
- Fire risk is reduced
- Maintenance costs are reduced
- Approvals: UL, LR



LINETRAXX® RCMS460-D



Residual current monitoring with communication via COM460IP

Communication solutions



BMS Ethernet Gateway COMTRAXX® COM460IP

Device features

COM460IP is a BMS Ethernet gateway that converts data from the internal and external Bender BMS bus into TCP/IP protocols. The device utilises an integrated web server for optimum presentation of data from BMS systems on any personal computer via a web browser with Silverlight plug-in. Additional software installation is not required.

- Modular, expandable gateway between BMS bus and TCP/IP
- Gateway between BMS bus and Ethernet
- Options to extend the functionality
- Remote access via LAN, WAN or Internet

Your advantages

- Bidirectional Modbus/TCP gateway
- Fast, simple parameter setting of BMS devices (on the internal bus) using the web browser
- Assignment of system-specific text codes for devices and measurement points
- E-mail notifications for alarms and system faults to different user groups
- Device failure monitoring
- Report function stores measured values and settings. Saved settings can be used for the parameterisation of other devices. This means comparing previous and actual settings is very simple and clear.
- Fast, clear visualisation without requiring special programming skills to set it up. For example, measurements or alarms can be arranged and displayed on a building plan. Links along with the alarm status of the devices contained therein can be inserted into the different views.



Condition Monitor COMTRAXX® CP700

Device features

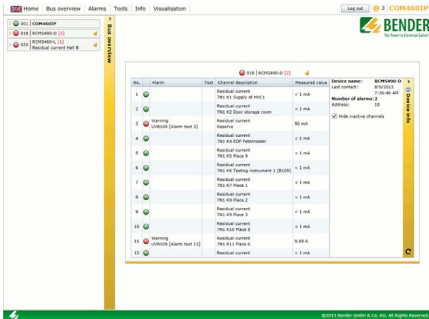
Power Quality devices offer full access to all information. This has to be processed and meaningfully presented, always in connection, of course, with the measured values of the already installed devices. The CP700 is a new, innovative navigation system that simplifies analysis and fault location for the user, in complex cases, even makes them possible at all. Depending on the user's requirements, the easy-to-use touch screen on the CP700 itself can be used or the PC user interface familiar from the COM460IP which offers full access to all information. Clearly presented information about the status of devices and systems via 7" touch screen.

- Specific system overview according to individual system description
- Display and visualisation of device and system statuses using a standard web browser with Silverlight plug-in
- Selective e-mail notification to various user groups in the event of alarms
- Support of professional visualisation programs by Modbus/TCP protocol
- Observing and analysing Bender products that support communication (Power Quality, RCMS, ISOMETERS, EDS systems)
- Parameter setting for devices, storing and documentation in a clear and practice-oriented manner

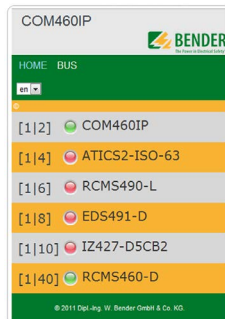
Your advantages

- All functions available in COM460IP on the internal bus
- Fast, simple parameter setting of BMS devices and Bender Power Quality devices using the web browser
- The CP700's software base is the foundation for further analysis and monitoring tools in future, which are made available by means of a software update.

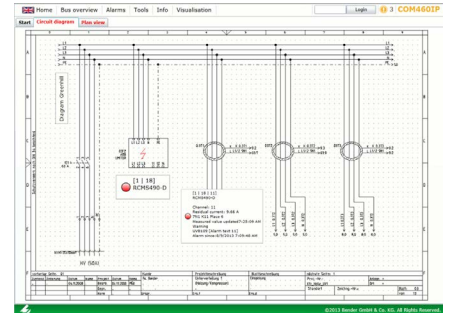
Web server



Bus overview

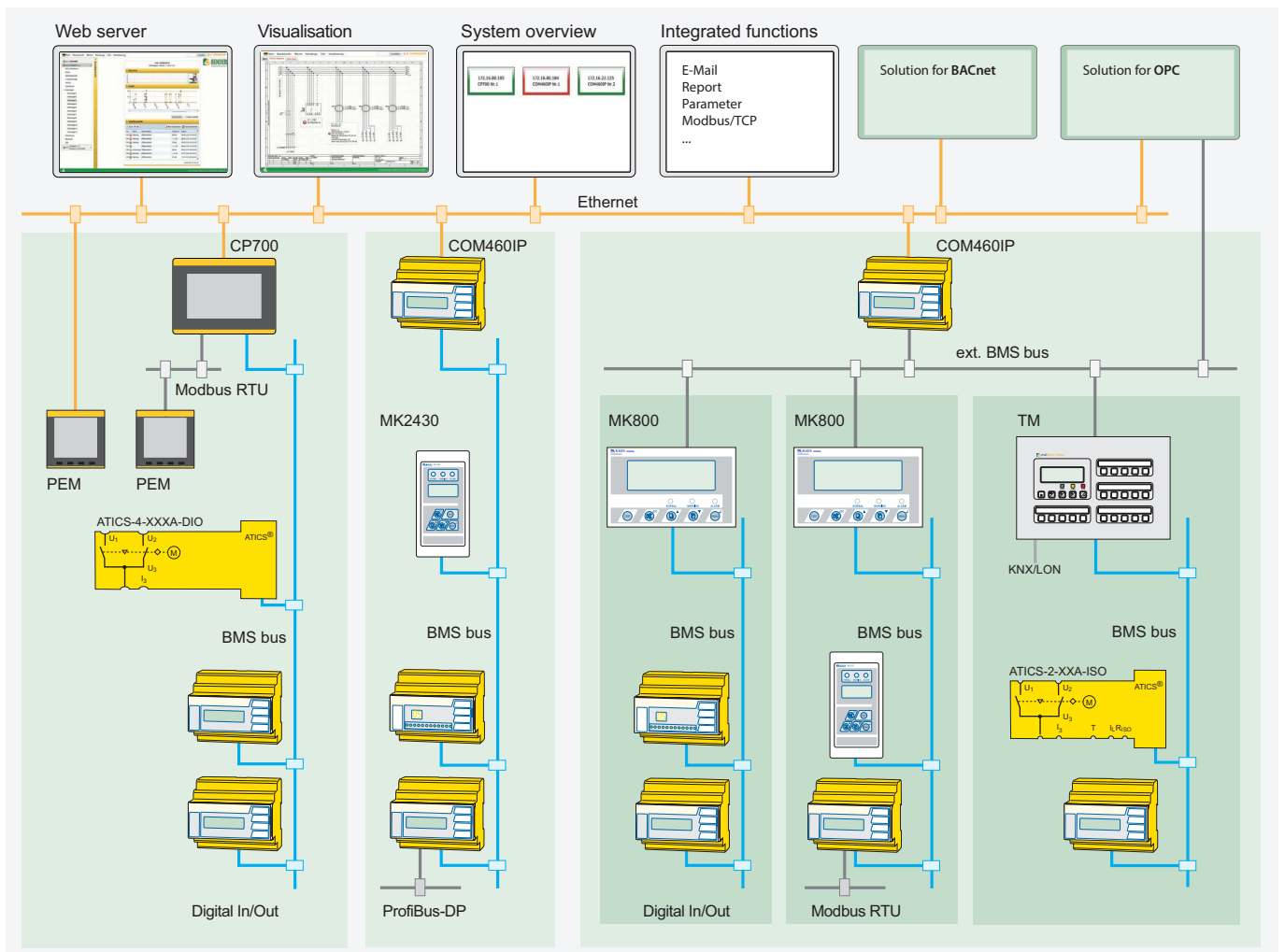


Presentation of the bus overview on mobile phones



User-defined visualisation

Communication possibilities with Bender systems and devices





Bender GmbH & Co. KG

P.O. Box 1161 • 35301 Gruenberg • Germany
Londorfer Strasse 65 • 35305 Gruenberg • Germany
Tel.: +49 6401 807-0 • Fax: +49 6401 807-259
E-Mail: info@bender.de • www.bender.de

Fotos: Fotolia (© Ostseefoto, © Tentacle, © bendgator) and Bender archives.



BENDER Group