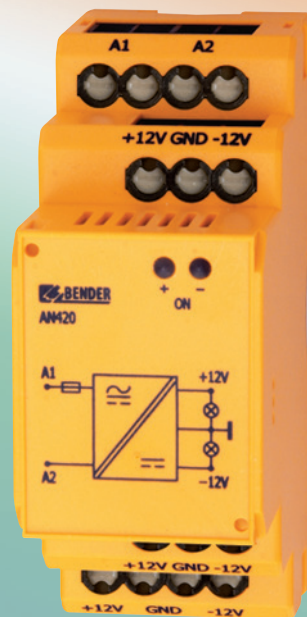


AN420

Power Supply for WAB Series Current Transformers
For Use with RCMS Series Ground Fault Monitors



AN420

**Power supply for WAB series current transformers
For use with RCMS series ground fault monitors**



Description

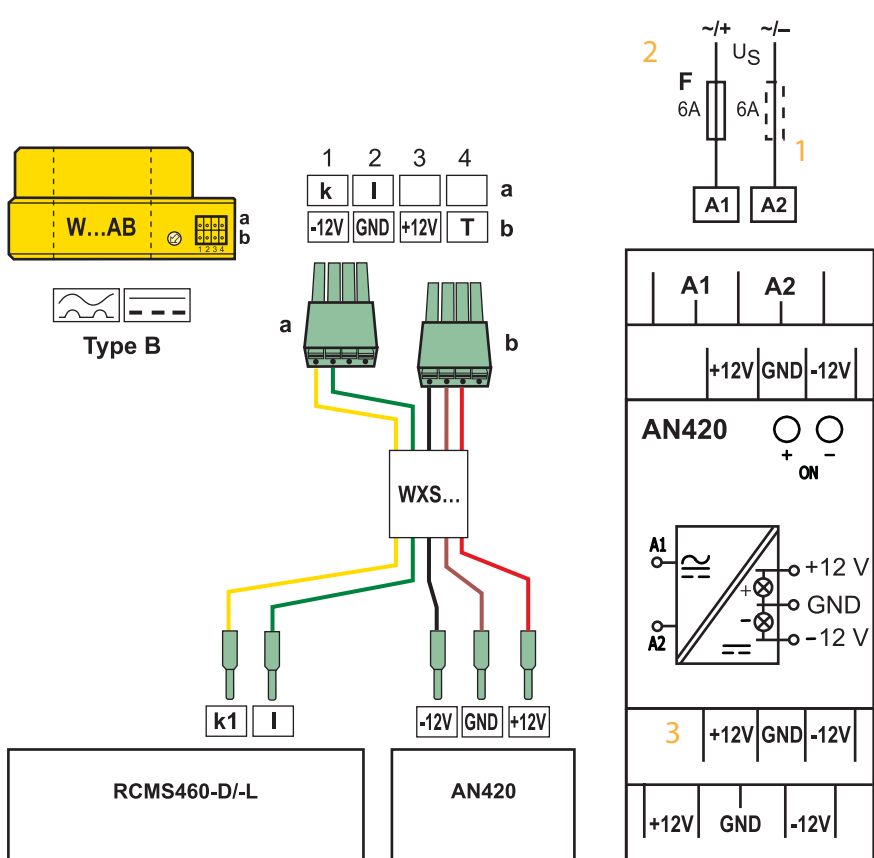
The AN420 is used to supply power to AB series current transformers, used with RCMS series multi-channel ground fault monitors. The input power supply is a wideband AC/DC power supply. ± 12 VDC is output to the current transformers. Connections are made using WX/WXS series connector cables. Each AN420 can supply up to six AB series current transformers.

The + and - ON LEDs indicate that a symmetrical ± 12 V is generated at the output.

Approvals



Wiring



- 1 - Supply voltage U_S
- 2 - Short-circuit protection of U_S , 5 A fuse required
- 3 - Symmetrical output voltage

Cable coloring for WXS series cable:
k1 = yellow, I = green, -12 V = black, GND = brown, +12 V = red

Technical data

Insulation coordination acc. to IEC 60664-1 / IEC 60664-3

| | |
|---|--------------------------------|
| Rated insulation voltage | AC 250 V |
| Rated impulse voltage / pollution degree | 4 kV / III |
| Protective separation (reinforced insulation) between | (A1, A2) - (+12 V, GND, -12 V) |
| Voltage test according to IEC 61010-1 | 2.21 kV |

Supply voltage

| | |
|--------------------------|--------------------|
| Supply voltage U_s | AC / DC 70...276 V |
| Frequency range of U_s | DC, AC 42...460 Hz |
| Power consumption | ≤ 30 VA |

Output of the power supply unit

| | |
|-----------------|--------------------------------|
| Output voltage | DC ± 12 V, short-circuit proof |
| Operating range | 11.9...12.1 V |
| Rated output | 9 W |

Cable length

| | |
|-------------------|---|
| Recommended cable | WXS100...WXS1000 (see ordering information) |
|-------------------|---|

Environment / EMC

| | |
|---|--|
| EMC | DIN EN 61000-6-4 DIN EN 61000-6-2 |
| Operating temperature | -25 °C...+55 °C |
| Climatic class acc. to IEC 60721 | |
| Stationary use (IEC 60721-3-3) | 3K5 (except condensation and formation of ice) |
| Transport (IEC 60721-3-2) | 2K3 (except condensation and formation of ice) |
| Storage (IEC 60721-3-1) | 1K4 (except condensation and formation of ice) |
| Classification of mechanical conditions IEC 60721 | |
| Stationary use (IEC 60721-3-3) | 3M4 |
| Transport (IEC 60721-3-2) | 2M2 |
| Long-time storage (IEC 60721-3-1) | 1M3 |

Connection

| | |
|---|--------------------------------------|
| Connection | screw terminals |
| rigid / flexible / conductor sizes | 0.2...4 / 0.2...2.5 mm / 24...12 AWG |
| Multi-conductor connection (two conductors of the same cross section) | |
| rigid / flexible | 0.2...1.5 mm / 0.2...1.5 mm |
| Stripping length | 8...9 mm |
| Tightening torque | 0.5...0.6 Nm |

Other

| | |
|---|--|
| Operating mode | continuous operation |
| Mounting position | see dimension diagram and screw fixing |
| Degree of protection, internal components (IEC 60529) | IP30 |
| Degree of protection, terminals (IEC 60529) | IP20 |
| Enclosure material | polycarbonate |
| Flammability class | UL94 V-0 |
| DIN rail mounting acc. to | IEC 60715 |
| Screw mounting | 2 x M4 with mounting clip |
| Instruction leaflet | BP409017 |
| Weight | ≤ 140 g |

Ordering information

| Type | Supply voltage U_s | Output voltage | Art. No. |
|---------|-----------------------------------|------------------|-------------|
| AN420-2 | DC / AC 42...460 Hz 70...276 V | DC ± 12 V 400 mA | B 9405 3100 |

Accessories

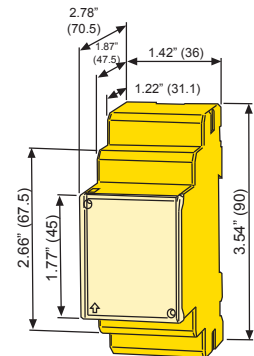
| Type | Art. No. |
|--|-------------|
| Clip for screw mounting (1 piece per device, accessories) | B 9806 0008 |

Connecting cables for AN420 / RCMS / CT connection

| Type | Length | Art. No. |
|----------|----------------|-------------|
| WXS-100 | 3.2 ft (1 m) | B 9808 0506 |
| WXS-250 | 8.2 ft (2.5 m) | B 9808 0507 |
| WXS-500 | 16.4 ft (5 m) | B 9808 0508 |
| WXS-1000 | 32 ft (10 m) | B 9808 0509 |

Dimensions

Dimensions in inches (mm)
Open the front plate cover in
direction of arrow.





North American Headquarters • Coatesville, PA
Toll-Free: 800-356-4266 • Main: 610-383-9200
Fax: 610-383-7100 • E-mail: info@bender.org



Canada • Mississauga, ON
Toll-Free: 800-243-2438 • Main: 905-602-9990
Fax: 905-602-9960 • E-mail: info@bender-ca.com

bender.org • bender.org/mobile