

Coupling device AGH676S-4



Coupling device AGH676S-4



Product description

The coupling device AGH676S-4 series is designed to extend the nominal voltage range to AC, 3(N)AC 0...12 kV, 50...460 Hz for the ISOMETER® iso685... series and IRDH275-4xx/IRDH375-4xx/IR420-D64.

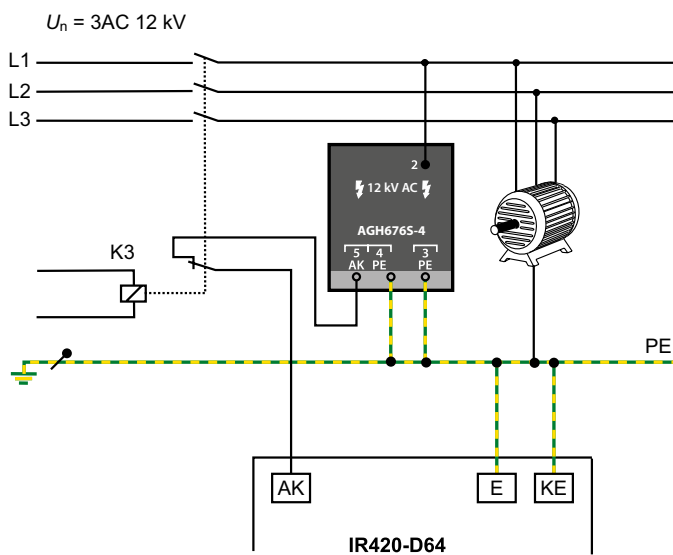
Approvals



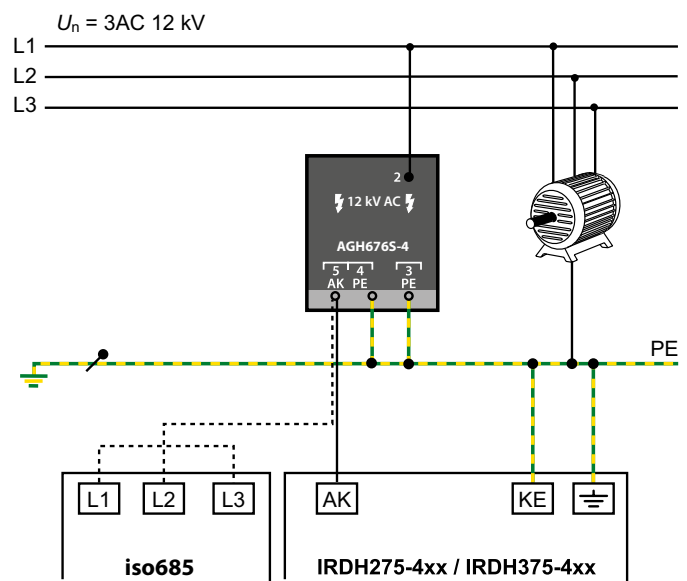
Ordering information

Nominal system voltage U_n	Cable length	Type	Art. No.
AC, 3(N)AC			
0...12 kV, 50...460 Hz	2000 mm	AGH676S-4	B913055

Wiring diagram offline (IR420-D64)



Wiring diagram online (iso685/IRDH275-4xx/IRDH375-4xx)



AC

Technical data

Insulation coordination acc. to IEC 61800-5-1

Rated insulation voltage	AC 12 kV
--------------------------	----------

Voltage test acc. to IEC 61800-5-1

Type test

Voltage impulse test	≥ AC 75 kV
AC voltage test	≥ AC 45 kV
Partial discharge test	≥ 16.5 kVeff

Routine test

AC voltage test, rate of increase < 2 kV/s	AC 25 kV
--	----------

Voltage ranges

Nominal system voltage Un	AC / 3(N)AC 0...12 kV
Nominal frequency fn	50...460 Hz
Internal DC resistance Ri	≥ 160 kΩ
Impedance Zi at 12 kV and 50 Hz	≥ 12 MΩ

Environmental conditions

Shock resistance IEC 60068-2-27 (during operation)	15 g/11 ms
Bumping IEC 60068-2-29 (during transport)	40 g/6 ms
Vibration resistance IEC 60068-2-6 (during operation)	1 g / 10...150 Hz
Vibration resistance IEC 60068-2-6 (during transport)	2 g / 10...150 Hz
Ambient temperature, during operation	-10...+55 °C
Storage temperature range	-40...+70 °C
Climatic class acc. to IEC 60721-3-3	3K5 (except condensation and formation of ice)

Connection

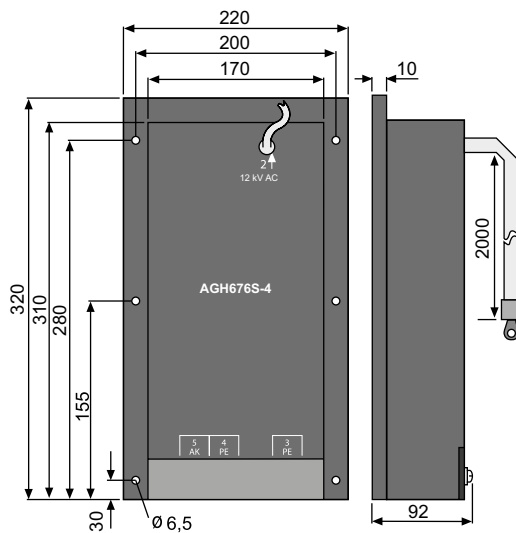
Connection medium voltage	high-voltage cable (encapsulated on the device side)
Connection, flexible with ring terminal	M8
Connection terminals 3, 4, 5	screw terminals
Connection properties rigid/flexible	0.2...4 mm ² /0.2...2.5 mm ²

Other

Operating mode	continuous operation
Position	any position
Degree of protection, internal components (DIN EN 60529)	IP64
Degree of protection, terminals (DIN EN 60529)	IP20
Type of enclosure	resin-encapsulated block
Screw fixing	M5
Flammability class	UL94 HB
Documentation number	D00096
Weight	≤ 8400 g

Dimension diagram

Dimensions in mm





Bender GmbH & Co. KG

P.O. Box 1161 • 35301 Gruenberg • Germany
Londorfer Strasse 65 • 35305 Gruenberg • Germany
Tel.: +49 6401 807-0 • Fax: +49 6401 807-259
E-Mail: info@bender.de • www.bender.de



BENDER Group