

Coupling device AGH675S-7-500G



Coupling device AGH675S-7-500G



Ankoppelgerät AGH675S-7-500G

Product description

The coupling device AGH675S-7-500G is designed to extend the nominal voltage range of the ISOMETER® IRDH275BM-7 to AC/ 0...7.2 kV. The coupling device is connected to the system to be monitored by one pole and connected to the terminal AK of the ISOMETER® by means of the terminal 5.

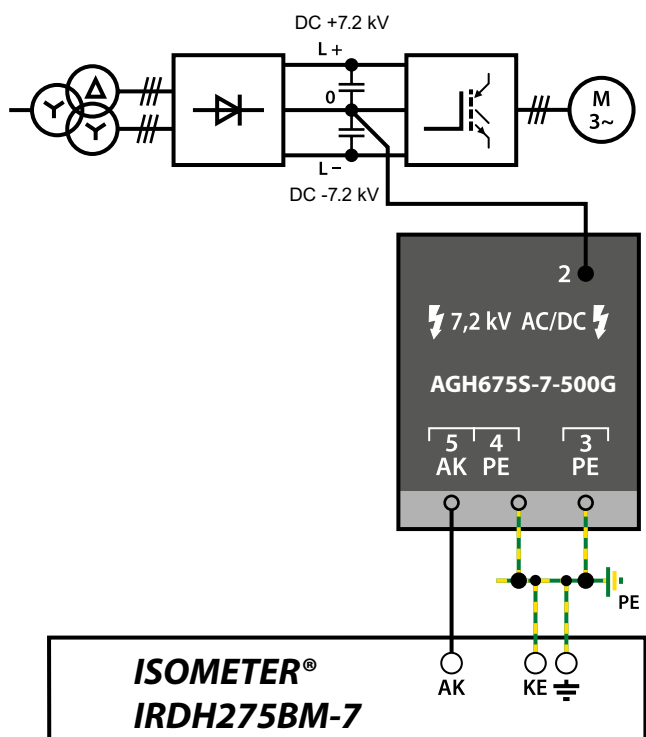
Approvals



Ordering information

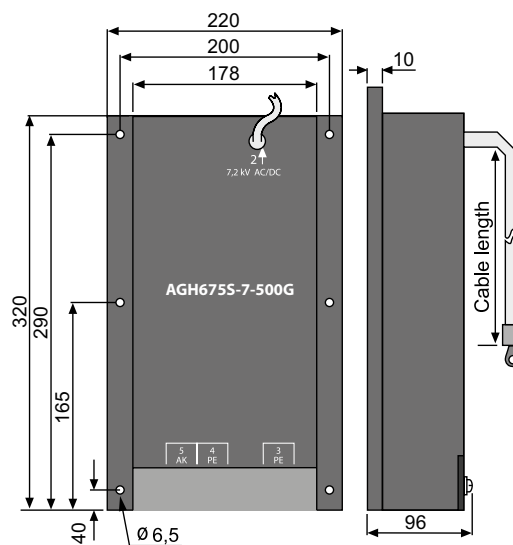
Nominal system voltage U_S	Cable length	Type	Art. No.
AC/DC			
0...7.2 kV, 0...460 Hz	500 mm	AGH675S-7-500G	B 913 059

Wiring diagram (example)



Dimension diagram

Dimensions in mm



Technical data
Insulation coordination acc. to DIN EN 61800-5-1

Rated insulation voltage	AC 7.2 kV
--------------------------	-----------

Voltage test acc. to DIN EN 61800-5-1

Voltage impulse test (basic insulation)	40 kV
AC voltage test (basic insulation)	20 kV
Partial discharge test	≥ 14 kV

Voltage ranges

Nominal system voltage U_n	AC, 3(N)AC, DC 0...7.2 kV
Nominal frequency f_n	0...460 Hz
Internal DC resistance R_i	≥ 2.4 MΩ

Environment

Classification of mechanical conditions acc. to IEC 60721:

Stationary use (IEC 60721-3-3)	3M4
Transport (IEC 60721-3-2)	2M2
Storage (IEC 60721-3-1)	1M3
Ambient temperature (during operation)	-10...+55 °C
Ambient temperature (during storage)	-40...+70 °C
Climatic class acc. to IEC 60721-3-3	3K5

Connection

Connection terminal 2 (medium voltage)	high-voltage cable (encapsulated on the device side)
Connection terminals 3, 4, 5	screw-type terminals
Connection properties	
rigid/flexible	0.2...4 mm ² /0.2...2.5 mm ²

Other

Operating mode	continuous operation
Mounting	any position
Degree of protection, internal components (DIN EN 60529)	IP64
Degree of protection, terminals (DIN EN 60529)	IP20
Type of enclosure	resin-encapsulated block
Screw mounting	6 x M5
Flammability class	UL94 V-HB
Documentation number	D00219
Weight	≤ 5100 g



Bender GmbH & Co. KG

P.O. Box 1161 • 35301 Gruenberg • Germany
Londorfer Strasse 65 • 35305 Gruenberg • Germany
Tel.: +49 6401 807-0 • Fax: +49 6401 807-259
E-Mail: info@bender.de • www.bender.de



BENDER Group